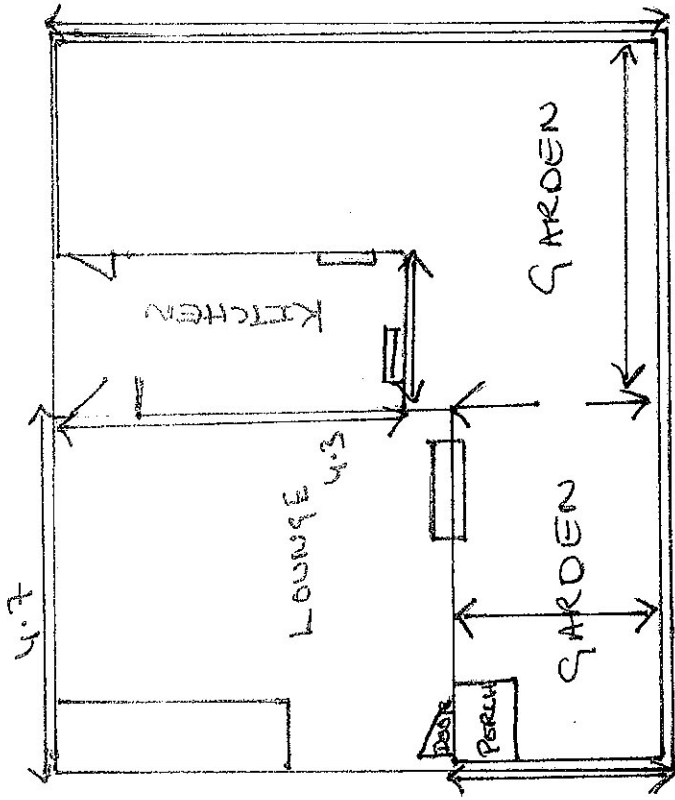


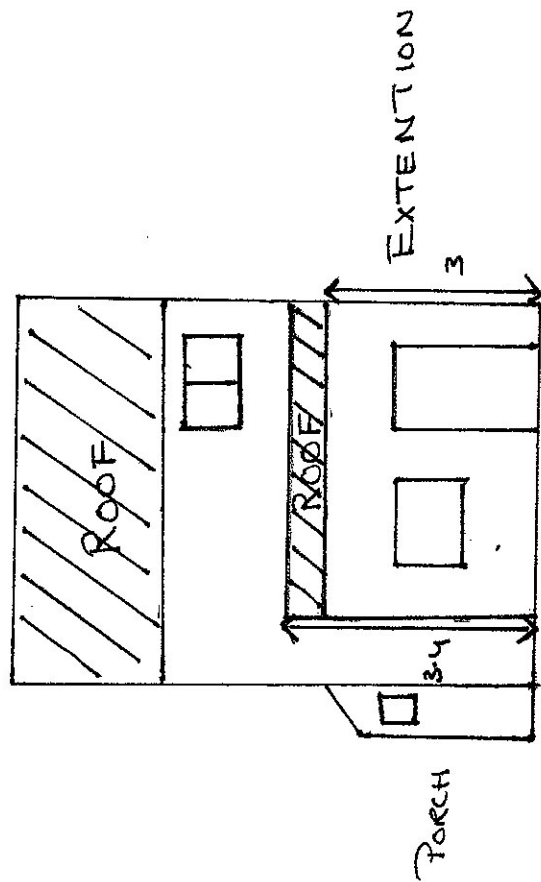
67 Berrydale Road
 HAYES
 UB4 9DP
 SCALE 1:500
 M & M/s MAH

SITE LAYOUT
 (BLOCK PLAN)

FLOOR PLAN



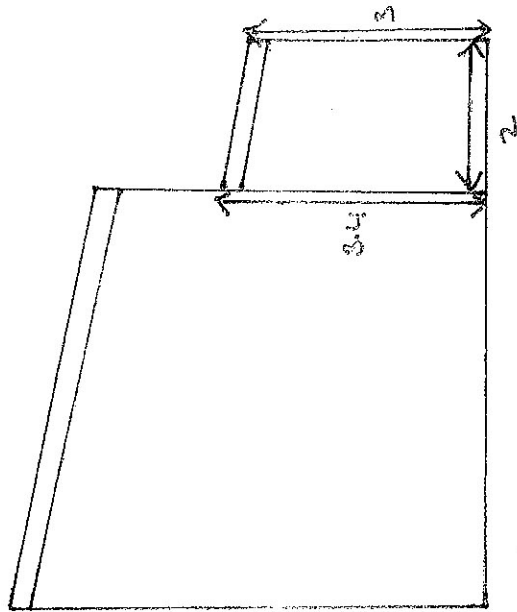
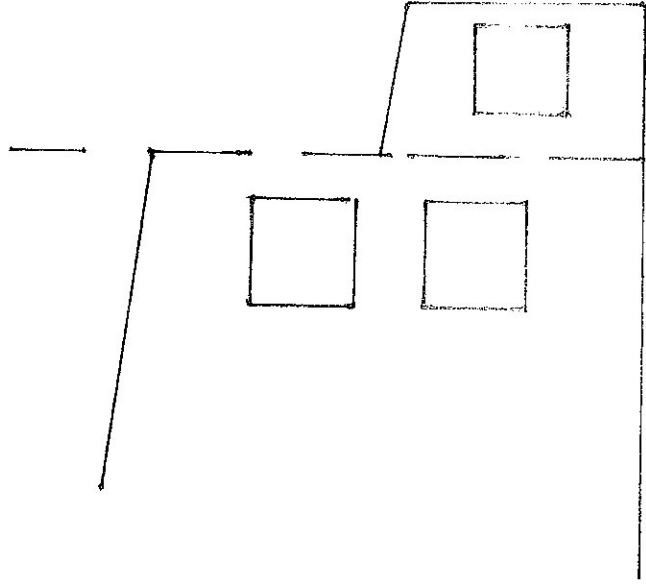
SINGELSTOREY
REAR EXTENSION
67 BERRYDALE
ROAD HAYES
MIDY 90P
SCALE 1:100



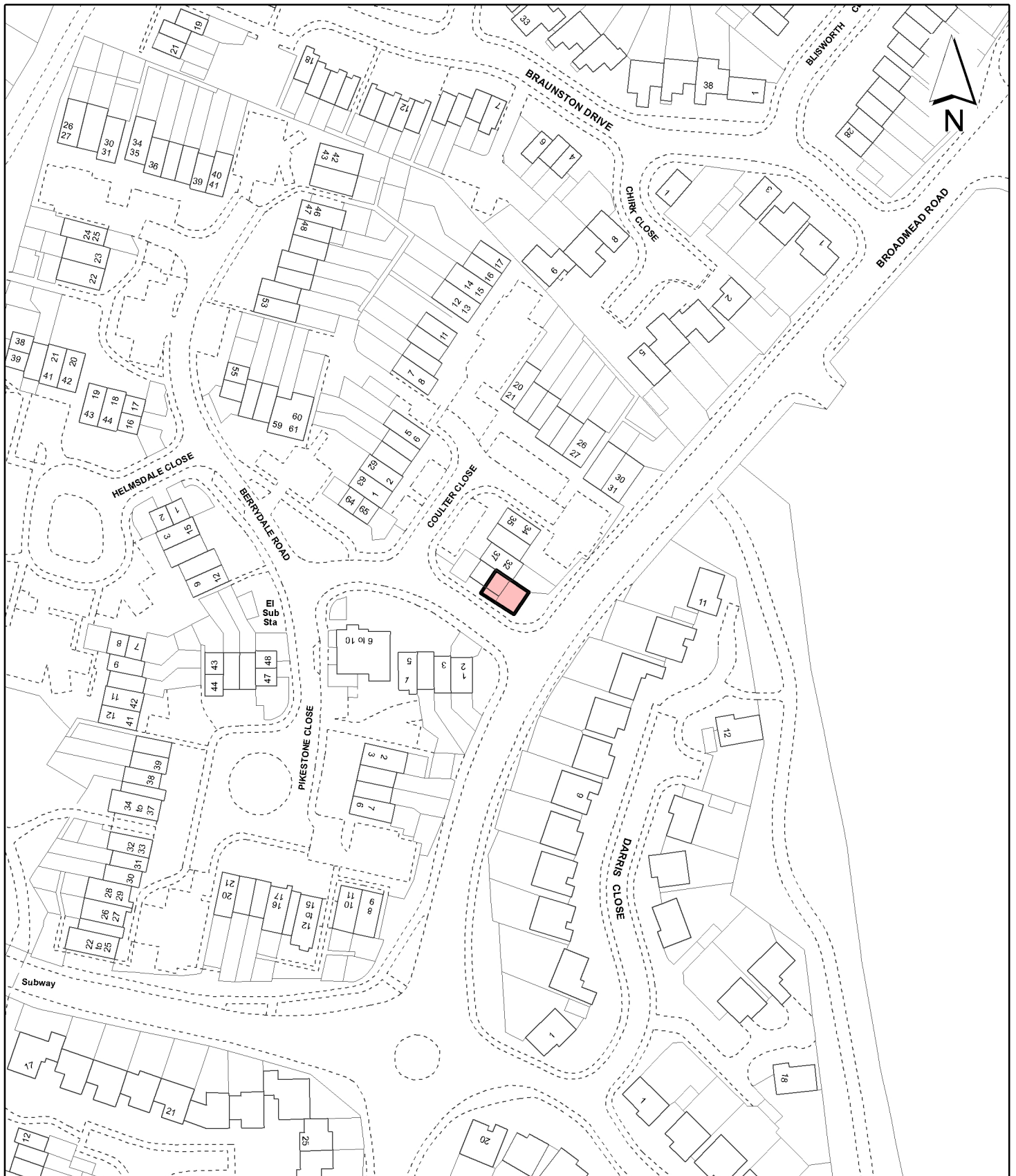
REAR ELEVATION


67 BERRYDALE RD
 HAYES
 W184 9QP
 MR & MRS MIAH
 SCALE 1:100

67 BERRYDALE
ROAD HAYES
MIDY 90P
MR & MRS MIAH
SCALE 1:100



Side Elevation
Scale 1:100



<p>Notes</p> <p> Site boundary</p> <p>For identification purposes only.</p> <p>This copy has been made by or with the authority of the Head of Committee Services pursuant to section 47 of the Copyright, Designs and Patents Act 1988 (the Act). Unless the Act provides a relevant exception to copyright.</p> <p>© Crown copyright and database rights 2012 Ordnance Survey 100019283</p>	<p>Site Address</p> <p align="center">67 Berrydale Road Hayes</p>		<p align="center">LONDON BOROUGH OF HILLINGDON Planning, Environment, Education & Community Services</p> <p align="center">Civic Centre, Uxbridge, Middx. UB8 1UW Telephone No.: Uxbridge 250111</p>
	<p>Planning Application Ref:</p> <p align="center">64145/APP/2012/1534</p>	<p>Scale</p> <p align="center">1:1,250</p>	
	<p>Planning Committee</p> <p align="center">Central and South</p>	<p>Date</p> <p align="center">August 2012</p>	



HILLINGDON
LONDON